

# AGILE

SPECS GUIDE



**800BAFCO**  
[www.bafco.com](http://www.bafco.com)

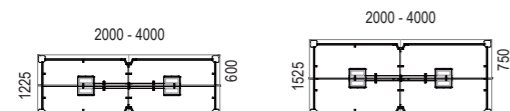
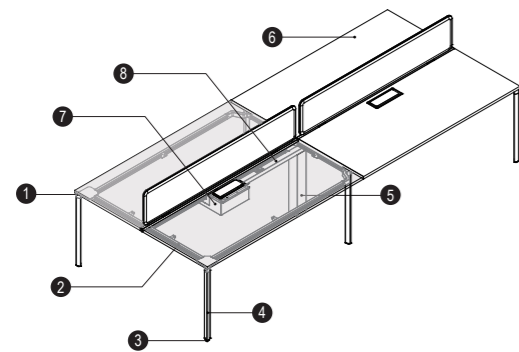
## 4 seaters



## 4 seaters with side screen

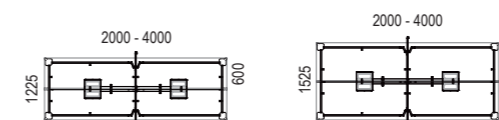
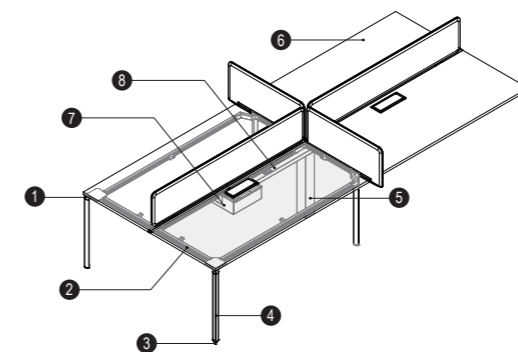


### Specification



- 1 Side leg adaptor**  
Material: ADC12 aluminum casting  
Finishing: Powder coating, 80~120 $\mu$
- 2 Horizontal bar**  
Material: T=2.0mm aluminum profile  
Finishing: Powder coating, 80~120 $\mu$
- 3 Adjustable foot**  
Material: ABS plastic,  
adjustable distance = 30mm
- 4 Side leg**  
Material: 2.0mm metal pipe  
Finishing: Powder coating, 80~120 $\mu$
- 5 Vertical cable channel**  
Material: T=1.5mm aluminum profile  
Finishing: Powder coating, 80~120 $\mu$
- 6 Table top**  
Core: Partical board,  
T=25mm, E1 grade  
Finishing: Melamine paper  
Edge banding: T=2mm PVC
- 7 Wires box**  
Material: T=0.7mm metal sheet  
Finishing: Powder coating, 80~120 $\mu$
- 8 Cable channel**  
Material: T=1.2mm aluminum profile  
Finishing: Powder coating, 80~120 $\mu$

### Specification

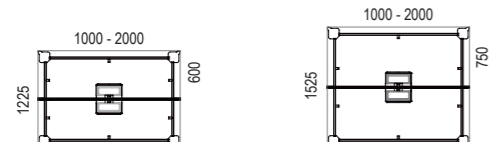
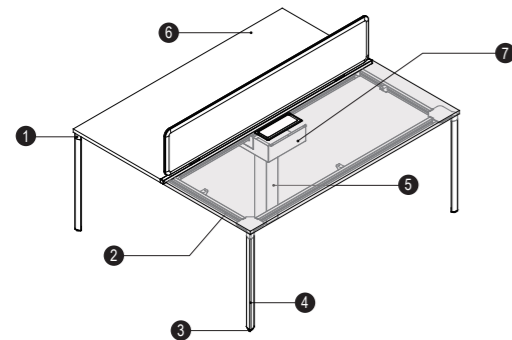


- 1 Side leg adaptor**  
Material: ADC12 aluminum casting  
Finishing: Powder coating, 80~120 $\mu$
- 2 Horizontal bar**  
Material: T=2.0mm aluminum profile  
Finishing: Powder coating, 80~120 $\mu$
- 3 Adjustable foot**  
Material: ABS plastic,  
adjustable distance = 30mm
- 4 Side leg**  
Material: 2.0mm metal pipe  
Finishing: Powder coating, 80~120 $\mu$
- 5 Vertical cable channel**  
Material: T=1.5mm aluminum profile  
Finishing: Powder coating, 80~120 $\mu$
- 6 Table top**  
Core: Partical board,  
T=25mm, E1 grade  
Finishing: Melamine paper  
Edge banding: T=2mm PVC
- 7 Wires box**  
Material: T=0.7mm metal sheet  
Finishing: Powder coating, 80~120 $\mu$
- 8 Cable channel**  
Material: T=1.2mm aluminum profile  
Finishing: Powder coating, 80~120 $\mu$

## 2 seaters



### Specification

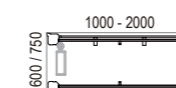
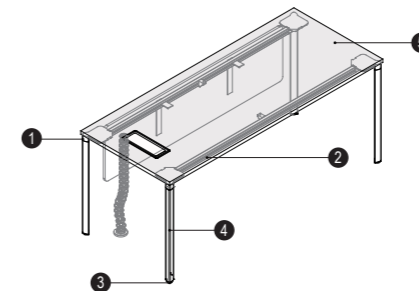


- 1 Side leg adaptor**  
 Material: ADC12 aluminum casting  
 Finishing: Powder coating, 80~120 $\mu$
- 2 Horizontal bar**  
 Material: T=2.0mm aluminum profile  
 Finishing: Powder coating, 80~120 $\mu$
- 3 Adjustable foot**  
 Material: ABS plastic, adjustable distance = 30mm
- 4 Side leg**  
 Material: 2.0mm metal pipe  
 Finishing: Powder coating, 80~120 $\mu$
- 5 Vertical cable channel**  
 Material: T=1.5mm aluminum profile  
 Finishing: Powder coating, 80~120 $\mu$
- 6 Table top**  
 Core: Partical board, T=25mm, E1 grade  
 Finishing: Melamine paper  
 Edge banding: T=2mm PVC
- 7 Wires box**  
 Material: T=0.7mm metal sheet  
 Finishing: Powder coating, 80~120 $\mu$

## Straight table



### Specification

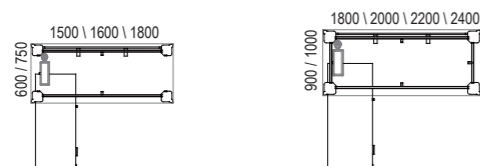
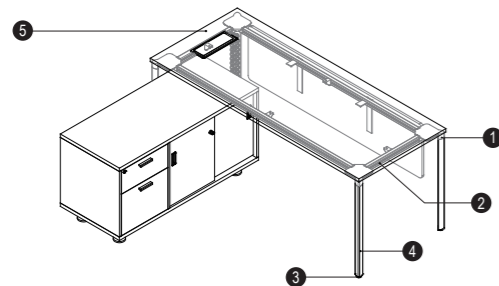


- 1 Side leg adaptor**  
 Material: ADC12 aluminum casting  
 Finishing: Powder coating, 80~120 $\mu$
- 2 Horizontal bar**  
 Material: T=2.0mm aluminum profile  
 Finishing: Powder coating, 80~120 $\mu$
- 3 Adjustable foot**  
 Material: ABS plastic, adjustable distance = 30mm
- 4 Side leg**  
 Material: 2.0mm metal pipe  
 Finishing: Powder coating, 80~120 $\mu$
- 5 Table top**  
 Core: Partical board, T=25mm, E1 grade  
 Finishing: Melamine paper  
 Edge banding: T=2mm PVC

## Straight table with cabinet



### Specification

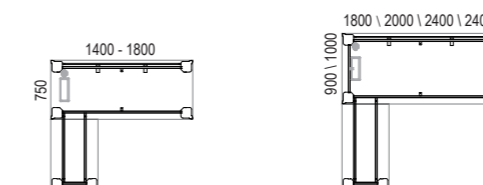
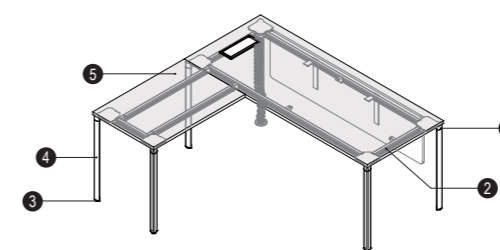


- ① **Side leg adaptor**  
Material: ADC12 aluminum casting  
Finishing: Powder coating, 80~120μ
- ② **Horizontal bar**  
Material: T=2.0mm aluminum profile  
Finishing: Powder coating, 80~120μ
- ③ **Adjustable foot**  
Material: ABS plastic, adjustable distance = 30mm
- ④ **Side leg**  
Material: 2.0mm metal pipe  
Finishing: Powder coating, 80~120μ
- ⑤ **Table top**  
Core: Partical board, T=25mm, E1 grade  
Finishing: Melamine paper  
Edge banding: T=2mm PVC

## L shape table



### Specification



- ① **Side leg adaptor**  
Material: ADC12 aluminum casting  
Finishing: Powder coating, 80~120μ
- ② **Horizontal bar**  
Material: T=2.0mm aluminum profile  
Finishing: Powder coating, 80~120μ
- ③ **Adjustable foot**  
Material: ABS plastic, adjustable distance = 30mm
- ④ **Side leg**  
Material: 2.0mm metal pipe  
Finishing: Powder coating, 80~120μ
- ⑤ **Table top**  
Core: Partical board, T=25mm, E1 grade  
Finishing: Melamine paper  
Edge banding: T=2mm PVC

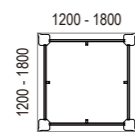
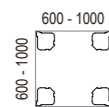
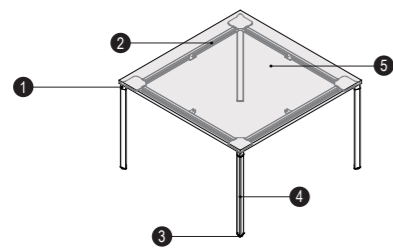
## Small meeting table - Square table



## Small meeting table - Round table

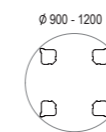
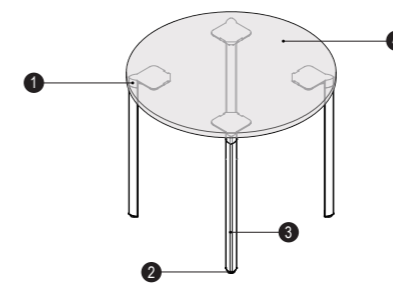


### Specification



- 1 Side leg adaptor**  
 Material: ADC12 aluminum casting  
 Finishing: Powder coating, 80~120 $\mu$
- 2 Horizontal bar**  
 Material: T=2.0mm aluminum profile  
 Finishing: Powder coating, 80~120 $\mu$
- 3 Adjustable foot**  
 Material: ABS plastic, adjustable distance = 30mm
- 4 Side leg**  
 Material: 2.0mm metal pipe  
 Finishing: Powder coating, 80~120 $\mu$
- 5 Table top**  
 Core: Partical board, T=25mm, E1 grade  
 Finishing: Melamine paper  
 Edge banding: T=2mm PVC

### Specification



- 1 Side leg adaptor**  
 Material: ADC12 aluminum casting  
 Finishing: Powder coating, 80~120 $\mu$
- 2 Adjustable foot**  
 Material: ABS plastic, adjustable distance = 30mm
- 3 Side leg**  
 Material: 2.0mm metal pipe  
 Finishing: Powder coating, 80~120 $\mu$
- 4 Table top**  
 Core: Partical board, T=25mm, E1 grade  
 Finishing: Melamine paper  
 Edge banding: T=2mm PVC

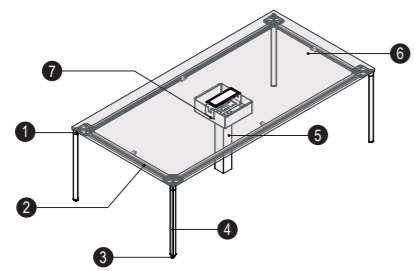
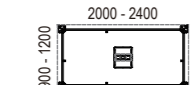
## Retangular meeting table



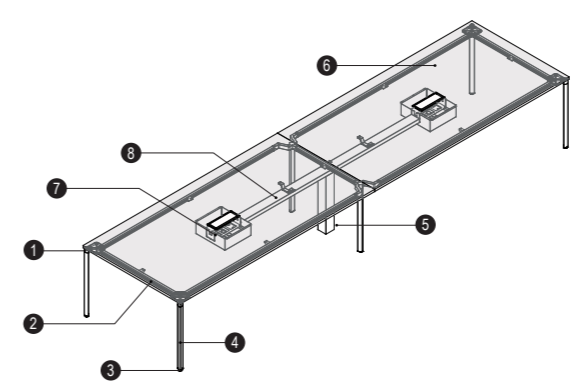
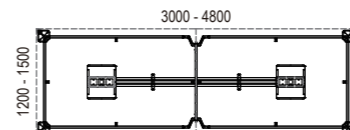
## Retangular meeting table



### Specification

- 
- 1 **Side leg adaptor**  
Material: ADC12 aluminum casting  
Finishing: Powder coating, 80~120 $\mu$
  - 2 **Horizontal bar**  
Material: T=2.0mm aluminum profile  
Finishing: Powder coating, 80~120 $\mu$
  - 3 **Adjustable foot**  
Material: ABS plastic, adjustable distance = 30mm
  - 4 **Side leg**  
Material: 2.0mm metal pipe  
Finishing: Powder coating, 80~120 $\mu$
  - 5 **Vertical cable channel**  
Material: T=1.5mm aluminum profile  
Finishing: Powder coating, 80~120 $\mu$
  - 6 **Table top**  
Core: Partical board, T=25mm, E1 grade  
Finishing: Melamine paper  
Edge banding: T=2mm PVC
  - 7 **Wires box**  
Material: T=0.7mm metal sheet  
Finishing: Powder coating, 80~120 $\mu$
- 

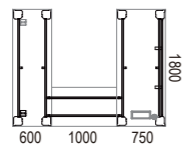
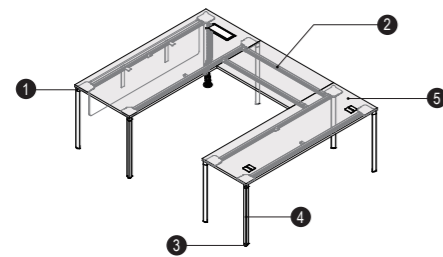
### Specification

- 
- 1 **Side leg adaptor**  
Material: ADC12 aluminum casting  
Finishing: Powder coating, 80~120 $\mu$
  - 2 **Horizontal bar**  
Material: T=2.0mm aluminum profile  
Finishing: Powder coating, 80~120 $\mu$
  - 3 **Adjustable foot**  
Material: ABS plastic, adjustable distance = 30mm
  - 4 **Side leg**  
Material: 2.0mm metal pipe  
Finishing: Powder coating, 80~120 $\mu$
  - 5 **Vertical cable channel**  
Material: T=1.5mm aluminum profile  
Finishing: Powder coating, 80~120 $\mu$
  - 6 **Table top**  
Core: Partical board, T=25mm, E1 grade  
Finishing: Melamine paper  
Edge banding: T=2mm PVC
  - 7 **Wires box**  
Material: T=0.7mm metal sheet  
Finishing: Powder coating, 80~120 $\mu$
  - 8 **Cable channel**  
Material: T=1.2mm aluminum profile  
Finishing: Powder coating, 80~120 $\mu$
- 

## U shape table



### Specification

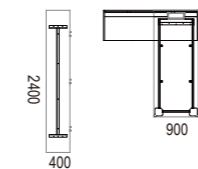
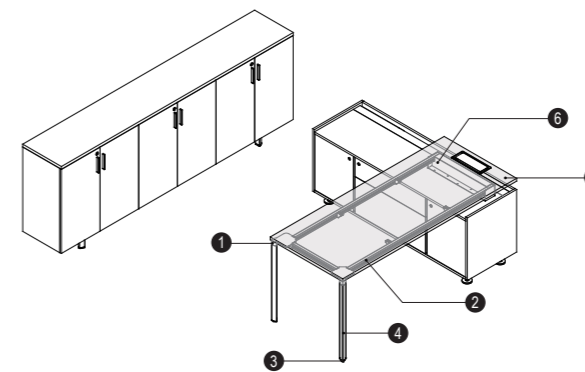


- 1 **Side leg adaptor**  
Material: ADC12 aluminum casting  
Finishing: Powder coating, 80~120 $\mu$
- 2 **Horizontal bar**  
Material: T=2.0mm aluminum profile  
Finishing: Powder coating, 80~120 $\mu$
- 3 **Adjustable foot**  
Material: ABS plastic, adjustable distance = 30mm
- 4 **Side leg**  
Material: 2.0mm metal pipe  
Finishing: Powder coating, 80~120 $\mu$
- 5 **Table top**  
Core: Partical board, T=25mm, E1 grade  
Finishing: Melamine paper  
Edge banding: T=2mm PVC

## Manager table with cabinet



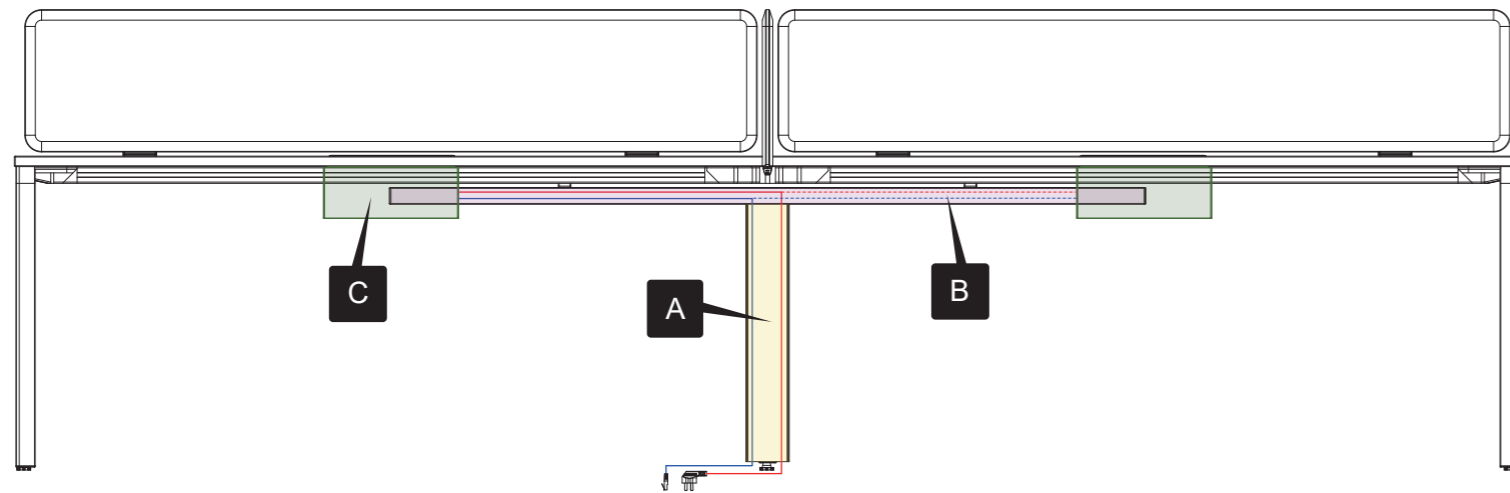
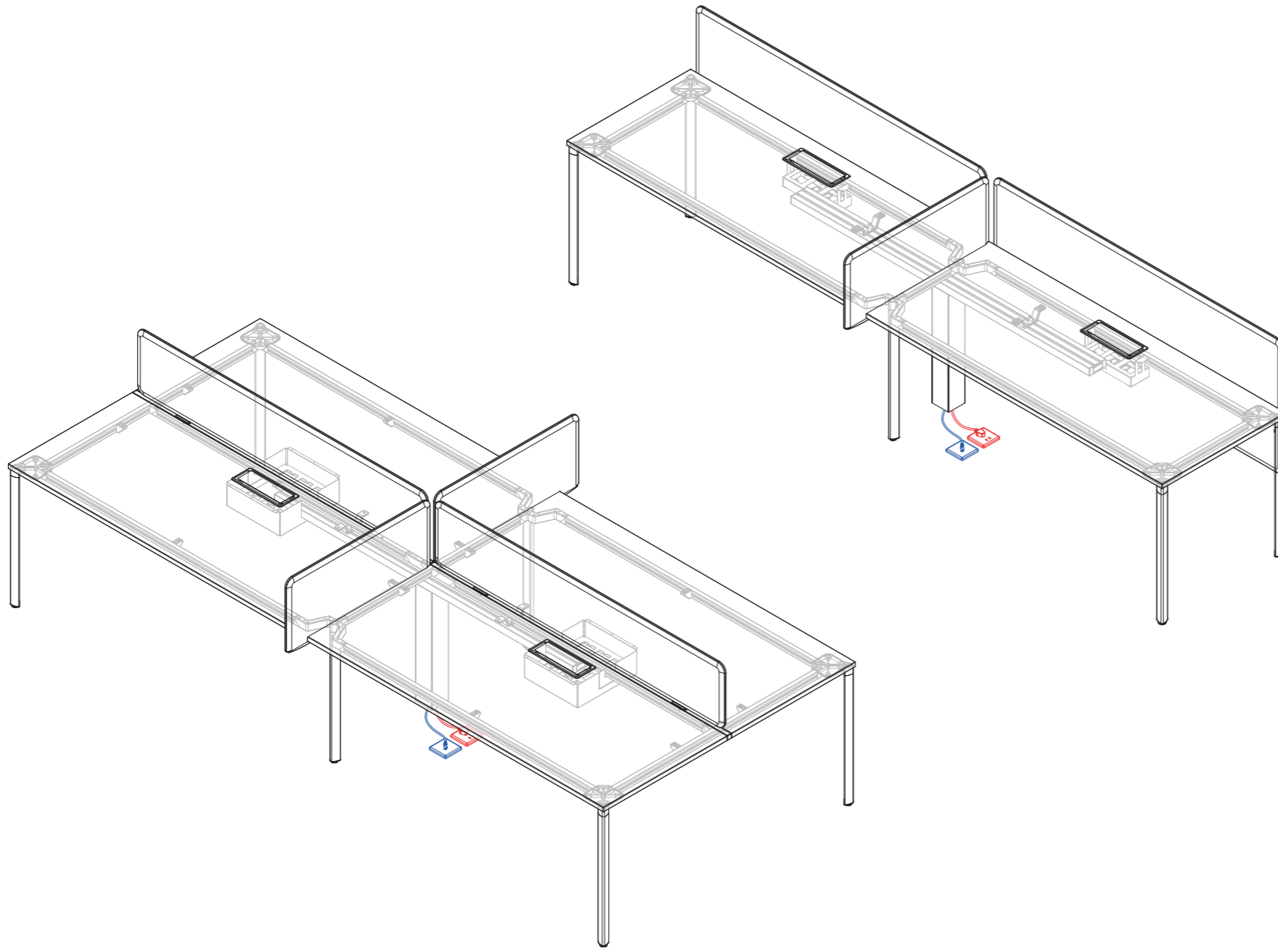
### Specification



- 1 **Side leg adaptor**  
Material: ADC12 aluminum casting  
Finishing: Powder coating, 80~120 $\mu$
- 2 **Horizontal bar**  
Material: T=2.0mm aluminum profile  
Finishing: Powder coating, 80~120 $\mu$
- 3 **Adjustable foot**  
Material: ABS plastic, adjustable distance = 30mm
- 4 **Side leg**  
Material: 2.0mm metal pipe  
Finishing: Powder coating, 80~120 $\mu$
- 5 **Table top**  
Core: Partical board, T=25mm, E1 grade  
Finishing: Melamine paper  
Edge banding: T=2mm PVC
- 6 **Side supportive**  
Material: T=2mm metal sheet  
Finishing: Powder coating, 80~120 $\mu$

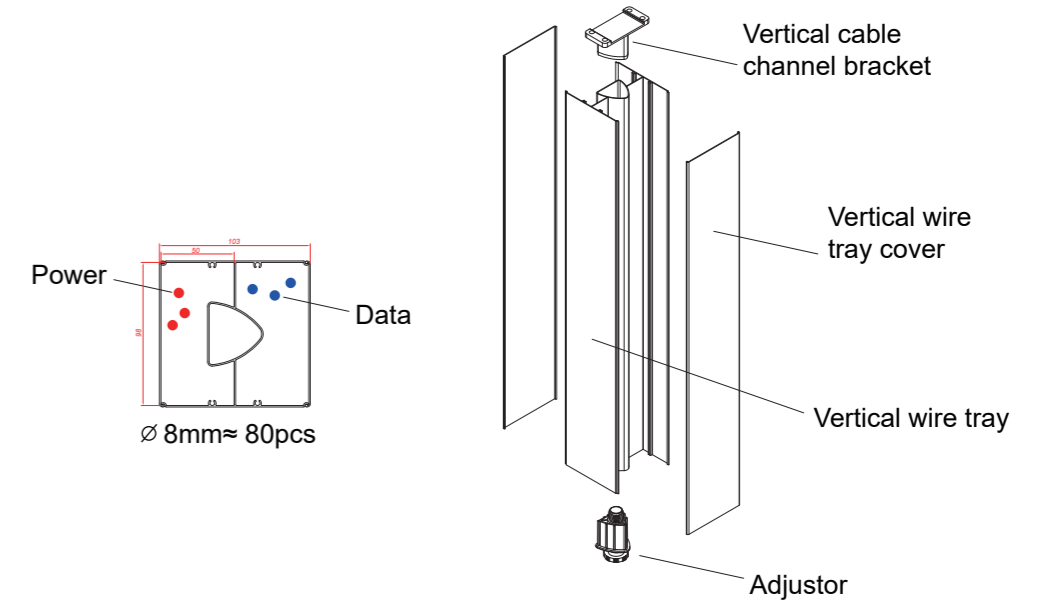




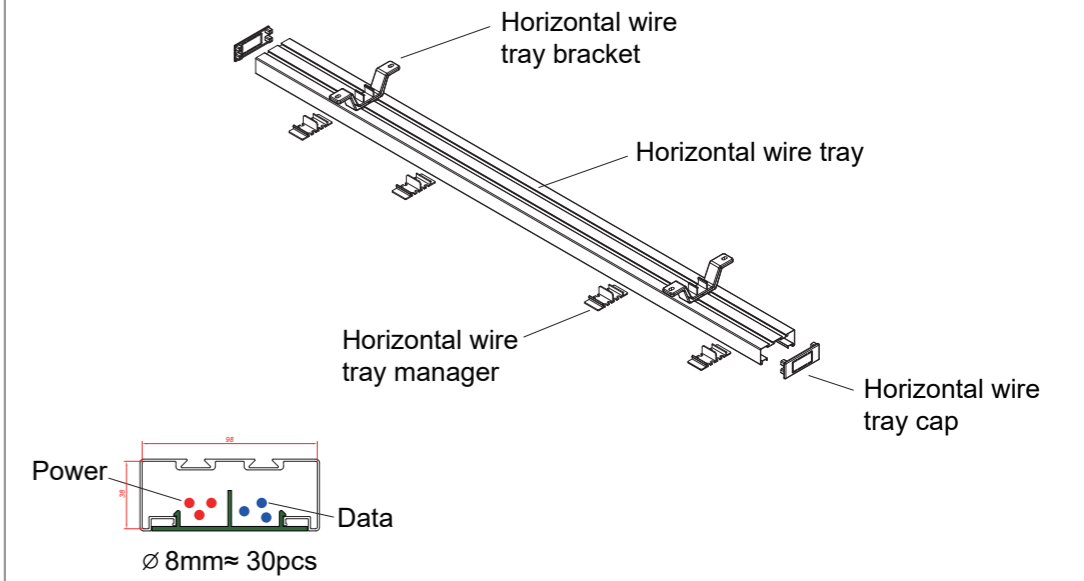


● Power  
● Data

**A: Vertical wire tray**



**B: Horizontal wire tray**



**C: Wire box**

